

## SANITARY PUMPS

### HYGIENIC CONSTRUCTION



#### **1. Quick dismantling**

The clamp system ensures rapid dismantling without any tools.

#### **2. Plain surface**

The sandwich diaphragm has a completely plain surface, which eliminates bacteria growth problems. The diaphragm is available in food grade material - pure TFM (PTFE).

#### **3. Superior finish**

Both liquid side and outside is electropolished to obtain superior finish and hygiene. Special surface finish may be done according to your requirements.

#### **4. Pollution-free air valve**

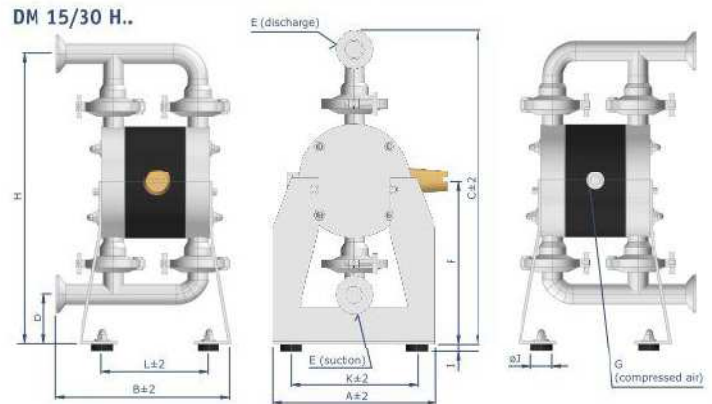
The sealing system is lubrication-free, always keeping your product and environment free from oil contamination.



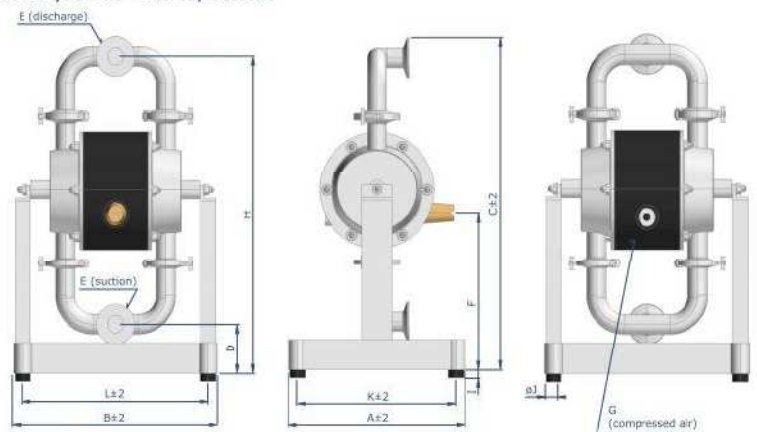
Hygienic design made from electropolished stainless steel to meet the requirements in hygienic installations.

## AISI 316L POLISHED - HYGIENIC PUMP

### DIMENSIONAL DRAWING



### DM 25/75 H.. - DM 65/565 H..



DIMENSIONS	A	B	C	D	E			F	G	H	I	ØJ	K	L
					TC	DN	SMS							
DM 15/30	150	165	299	46	1/2"	15	-	162	R 1/8"	282	18	30	116	103
DM 25/75	230	264	419	75	1"	25	25	204	R 1/4"	394	18	30	206	238
DM 40/125	256	287	465	67	1 1/2"	40	38	221	R 1/4"	440	18	30	226	257
DM 50/315	350	387	679	102	2"	50	51	247	R 1/2"	640	18	30	325	357
DM 65/565	550	459	1000	126	2 1/2"	65	63,5	357	R 1/2"	1048	18	30	386	425

## TECHNICAL DATA

	15/30	25/75	40/125	50/315	65/565
Max capacity (l/min)	30	75	125	315	565
Max pressure (bar)	8				
Nominal port size	DN 15	DN 25	DN 40	DN 50	DN 65
Optional connections	DIN 11850 standard, Tri-Clamp, SMS				
Air connection	R 1/8"	R 1/4"	R 1/4"	R 1/2"	R 1/2"
Suction lift dry (mWC)	1.5	3.0	4.0	4.0	5.0
Suction lift wet (mWC)	9.0				
Max diameter solids (mm)	4	5	8	11	14
Temperature limits - NBR, EPDM (°C)	80				
Temperature limits - PTFE (°C)	120				
Weight (kg)	5	8	11	26	34
Material of pump housing	AISI 316L				
Material of centre housing	PE, PE conductive				
Diaphragm options	NBR, EPDM or TEM/PTFE				
Valve balls	NBR, EPDM, PTFE, AISI 316				
Gaskets	Silicone, PTFE, EPDM, NBR				

### Sanitary series

Sanitary series is particularly designed to meet the requirements of the food, beverage, pharmaceutical and cosmetic industries. Lubrication-free air distribution system, maintenance-free ball check valve system and total visual inspection of the wetted parts are some of the major features for this pump series.

### Made to be clean

Our design allows for total visual inspection of the wetted parts. There are no hidden areas where bacteria can grow. The manifold clamps and the housing screws are simply removed for complete disassembly and cleaning. The pump is also designed for cleaning and sterilization in place - C.I.P. and S.I.P. After such operations, the pump is easily turned in its support for drainage.

## SPECIAL VERSIONS

### TROLLEY FOR PUMP

Make your DELLMECO pump mobile. The trolley is available for all pump sizes.



### HEATING JACKET

The heating jacket is used when the pumped product has to maintain a specific temperature, high or low, throughout the process. A heating or cooling medium is continuously circulated in the heating jacket. The jacket is covering all the wetted parts of the pump. Available on all sanitary series pumps.





**VARIETY OF CONNECTION TYPES**

The pump is supplied as standard with connections according to DIN 11850. However, the pump may be equipped with almost any type of connection used in the hygienic field – TriClamp, SMS, RJT, ANSI etc.

